



立興陳機械

LPD-65

高速精密沖床

LPD15-25-40-65 Tons
HIGH SPEED PRECISION PRESS

● 小投資獲利多 ● 精準 ● 強韌 ●

● Small investments, more profits Accurate Durable ●

新發亮



物超所值 強力促銷中
可創造最高附加價值生產
有速度！有衝力！有準度！
既經濟又實惠，堅固又耐用
It is cost-effective and durable.
It is fast, powerful, and accurate.
It can create the highest value.
It is well worth its value.
It is an unbeatable offer.



立興陳機械

LI HSING CHEN

www.lihsingchen.com

LPD 氣壓式高速精密沖床 SERIES LPD 15~65 TONS

► 本機特點

- 本沖床台身採超強度鋼架結構，在高速運轉時，能保持良好之精度。
- 滑塊以長型導路設計，配備有滑塊平衡裝置，運動精確穩定最適合於連續沖模。
- 微電腦沖床控制裝置，具有全自動煞車角度自動補正、定位顯示監控系統，讓你操作更具信心。
- 精度符合國家標準(CNS)一級以上。
- The platform is structured with superior strength steelwork. That keeps high precision even in high speed operation.
- Slider's guide is long attached with the pneumatic balance device, it moves smoothly and precisely. It is suitable for continuous punching.
- The punch control device with microcomputer equipped enables the machine fully automated on brake, angle-correction, and the location display monitor. The control assistance can gain user more confidence.
- Precision conforms to number one national standards (CNS) level or above.

► 功能介紹

- 獨立式控制箱 Detached control box
人性化之面板操控設計
User-friendly panel control design



- 超剛性曲軸設計 Super rigid crankshaft design
合金鋼材質經調質熱處理研磨，精度穩定。
可承受長時間的沖壓而不易變形。

After thermal refining hot-surface treatment and cylindrical grinding, the alloy steel is very accurate and stable. It can stand a long-term press and can not be easily deformed.



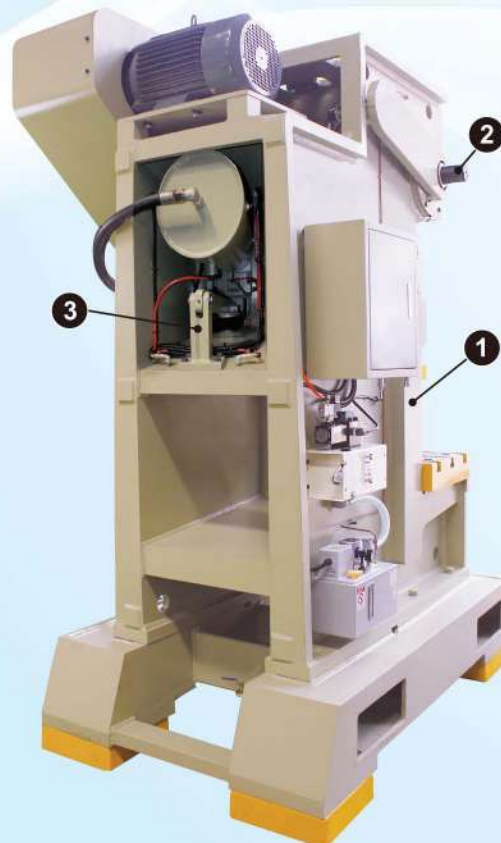
- 平衡器裝置 Balancer device
採用進口空氣彈簧配件，
免保養平衡性能穩定。
Imported air spring accessories adopted,
maintenance-free and stable performance



- 油壓式超負荷安全裝置 Hydraulic overload safety device
遇有超負荷情況時，滑塊運轉立即停止，確保機台及模具安全。
In the event of overload conditions, the slide stop operation immediately to ensure the safety of machine and mold.



- 強制循環給油系統
Forced lubrication oil system
集中潤滑塗佈均勻潤滑效果特佳
，且維護簡單。
Excellent lubrication, and
easy-maintenance

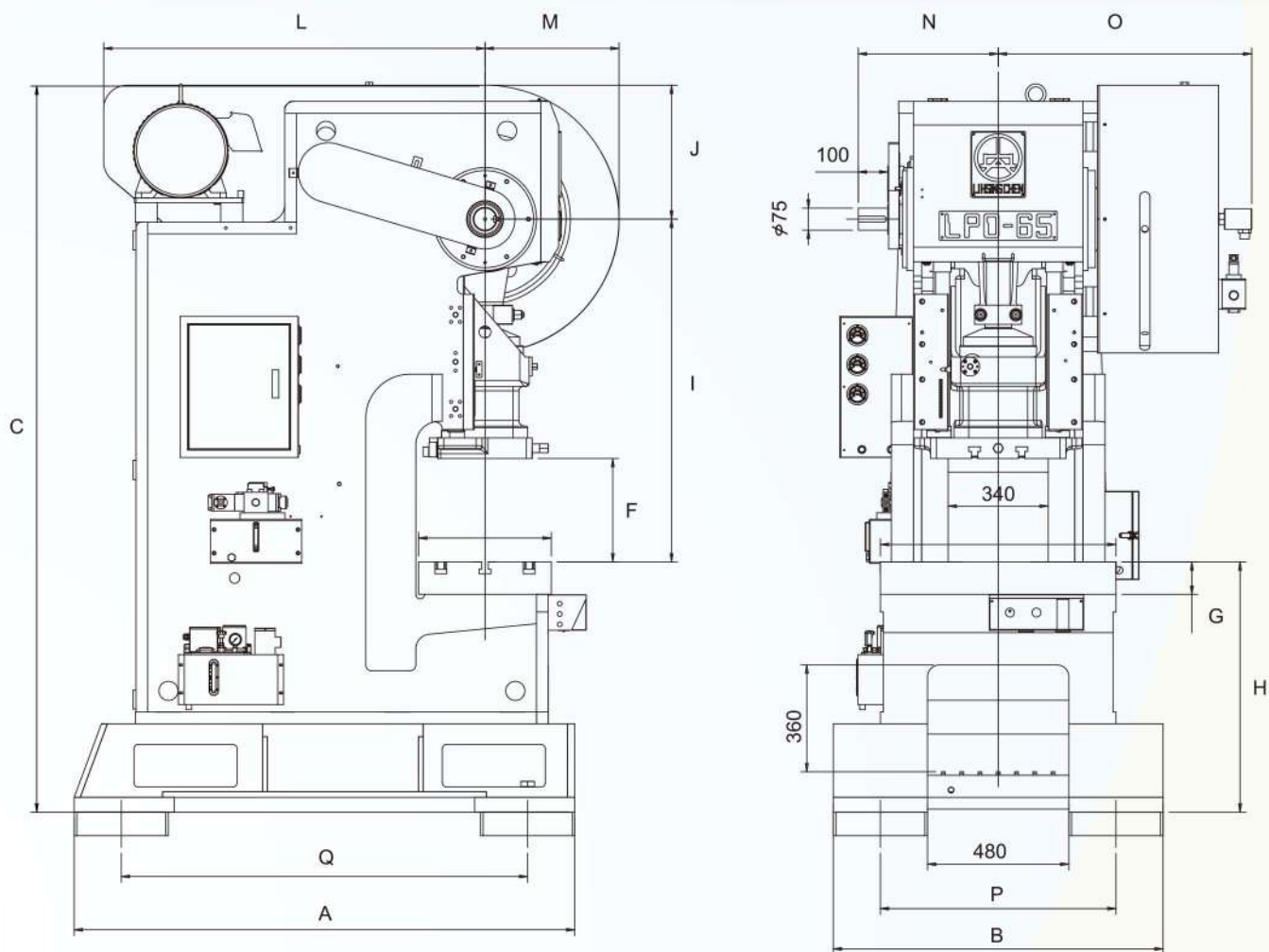


1. 特厚壁板，剛性特佳
Special thick plate and the rigid is particularly good

2. 送料軸端
Power take off shaft

3. 滑塊平衡裝置
Slide & die balancer

▶ 外型尺寸圖



▶ 外型尺寸 Size of outline

	A	B	C	D	E	F	G	H	I	J	K	L	M	N	O	P	Q
LPD-65	1700	1120	2470	800	450	360	110	850	1145	455	340	475	835	455	1295	830	1380

▶ 主要規格 Specification

型式 Model	LPD-65						
	S			H			
噸數 Capacity	tons 65						
行程 Length of strokes	50	40	35	30			
每分鐘行程數 Strokes per minute	~320	~360	~380	~400			
能力發生點 Rated tonnage point(B.D.C.)	1.5			1.5			
模高 Die height	300	310	315	320			
滑塊調整量 Adjustment of slide	50						
滑塊面積 Area of slide	460×320						
滑塊孔徑及深度 Slide hole and deep	Φ50.8×90L						
台盤面積 Area of bolster	800×450						
台盤厚度 Thickness of bolster	110						
送料軸端長度 Length of power take off shaft	100						
送料軸端直徑 Diameter of power take off shaft	Φ75						
腳座尺寸 Installation area	1120×1700						
主馬達 Main motor	HP×P 15×4						
台身內側寬度 Frame inside dimension	340						
喉深 Frame gap	235						
送料軸位置 Position of power take off shaft	475×1165						
機械長寬高 Mechanical dimension	1850×1440×2470						
總重量 Total weight	kgs 6500						



■ 附屬品介紹

標準附屬品

1. 強制循環給油裝置
2. 滑塊(衝頭)及模具平衡裝置
3. 曲軸角度指示裝置
4. 手動式滑塊調整裝置
5. 自動送料軸端
6. 獨立式控制盤
7. 電子式計數器
8. 氣壓式吹料裝置
9. 維護工具

特別附屬品

1. 自動送料機
2. 模具下死點檢出裝置
3. 模具照明燈
4. 防震裝置

STANDARD ACCESSORIES

1. Automatic lubrication system.
2. Slide & die balancer.
3. Crank angle indicator.
4. Handle slide adjustment device.
5. Power take off shaft.
6. Control console.
7. Preset counter.
8. Air ejector device.
9. Maintenance tool.

OPTIONAL ACCESSORIES

1. Automatic feeder.
2. Dies of rated tonnage point checkout device.
3. Dies of light.
4. Against vibration protect.



立興陳機械

立興陳機械廠股份有限公司

LI HSING CHEN MACHINE TOOL CO., LTD.

總公司 / 新北市土城區土城工業區民權街8號

Head Office & Factory/

No 8, Min Chuan St., Tu Cheng Industrial Zone,

Tu Cheng Dist, New Taipei City, Taiwan

Tel: 886-2-2267-1118 (Rep.) Fax: 886-2-2267-1277

<http://www.lihsingchen.com>

E-mail: lihsingc@ms15.hinet.net

廣東廠 / 廣東省佛山市南海區羅村佛羅路段沙布塱工業路2號

Guangdong Factory/

No.2, Sabulang Ind. Road, Foluo Sec., Luocun,

Nanhai Area, Foshan City, Guangdong Province, China

Tel: (0757) 86418001~2

Fax: (0757) 86418003

E-mail: taixin2005@126.com

AGENTS:

Catalog No.2020